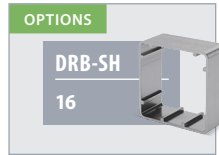


DRB004F Series

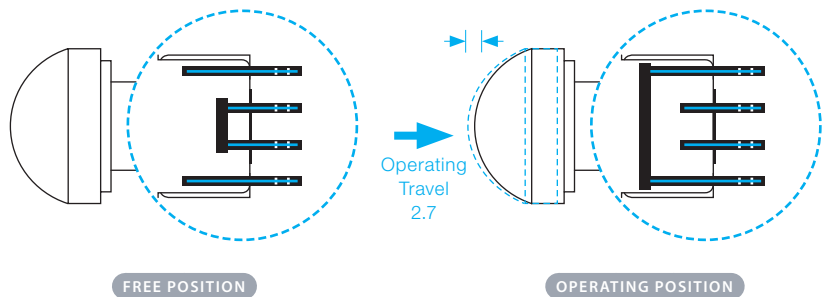
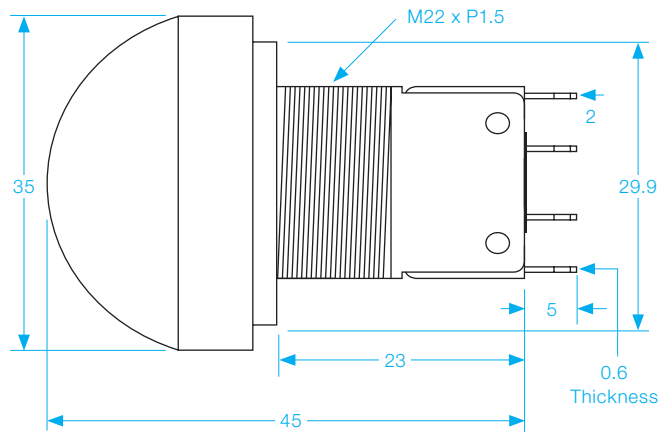
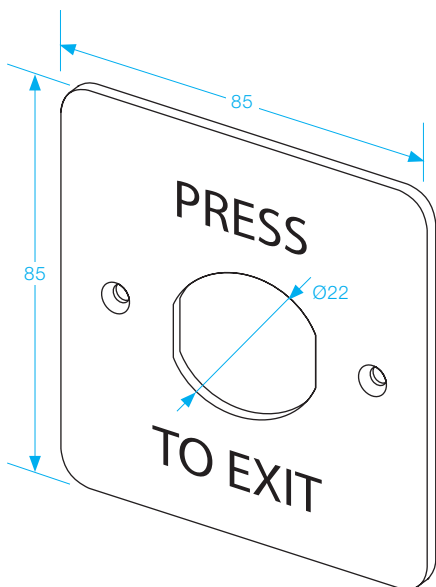
Exit Button

- Brushed Stainless Steel
- **ITW** Green dome button
- Flush mount
- **FREE:** Add your company logo
- COM-N/O
COM-N/C



DRB004F-PTE
PRESS TO EXIT

<p>DRB004F-NL NO LEGEND</p> 	<p>DRB004F-DR DOOR RELEASE</p> 	<p>DRB004F-PTE-WP PRESS TO EXIT</p> <p> WEATHER RESISTANT - IP 67 -</p> 
---	--	---



SPECIFICATION

- Max. Rating: 5A/125/250 Vac.
- Contact resistance: 50mΩ Max. (Initial).
- Operating travel: 2.7mm.
- Operating life (Mechanical): Over 100,000 times.
- Cables included.